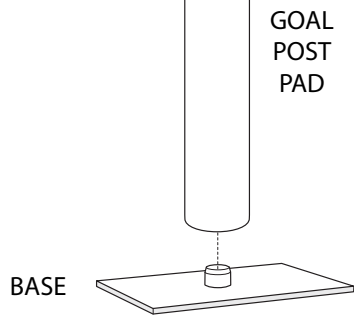


## DIAGRAM



## PARTS

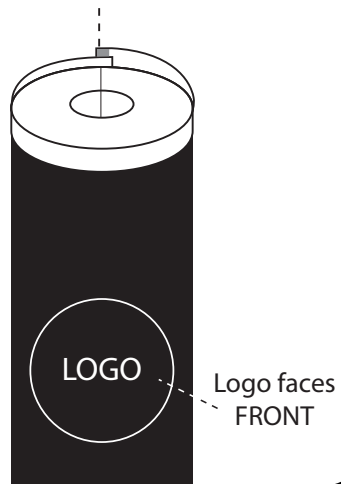
- (2) 20" poles
- (2) 9" poles
- (2) right angle connectors
- (1) T connector
- (1) 28" pole/Goal Post Pad (pre-assembled)
- (1) Goal Wrap
- (1) Base (pre-assembled)
- (4) Banner Straps with Push Clips
- (1) Sign \*

\* #147 POP set only.

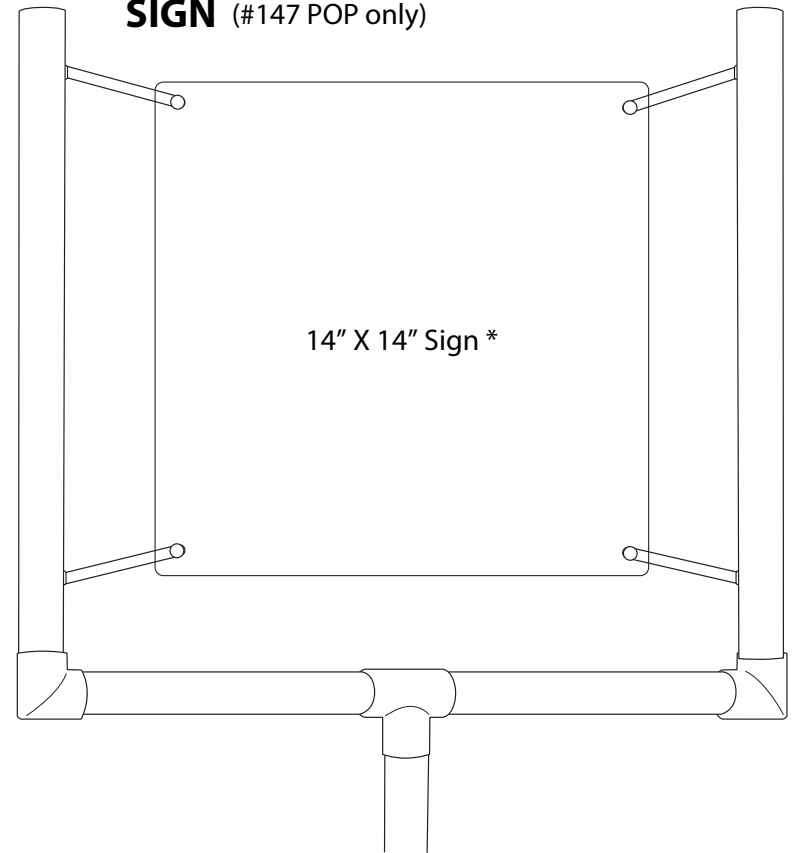
## WRAP

Cover styrofoam cylinder with printed wrap, pressing velcro end to velcro end.

Velcro ends and vertical cylinder slit should face the back of your display, while the logo side faces front.



## SIGN (#147 POP only)



## #146/147 MINI FOOTBALL GOAL POST ASSEMBLY\*

Assemble goal posts as shown in diagram - for easier assembly, some parts may have been pre-assembled prior to shipping.

Add wrap to styrofoam cylinder, ensuring logo side faces front.

#147 POP only:

Insert push clips into each of the four holes in banner corners and corresponding holes on the 20" poles.