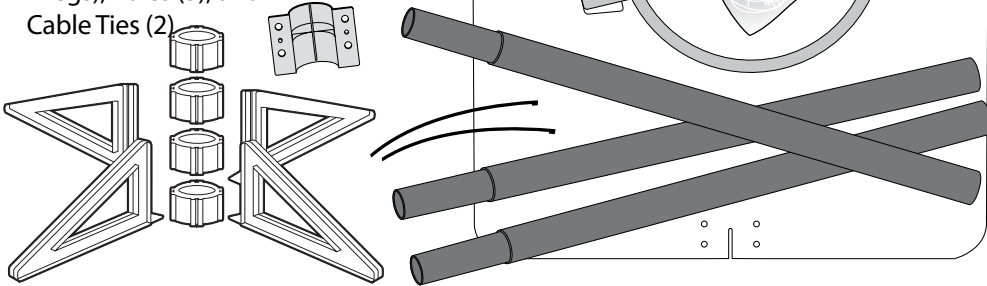


Assembly Instructions

Parts: Backboard, Hoop with Net, Backboard Bracket, X-Base (4 collars, 4 legs), Poles (3), and Cable Ties (2)

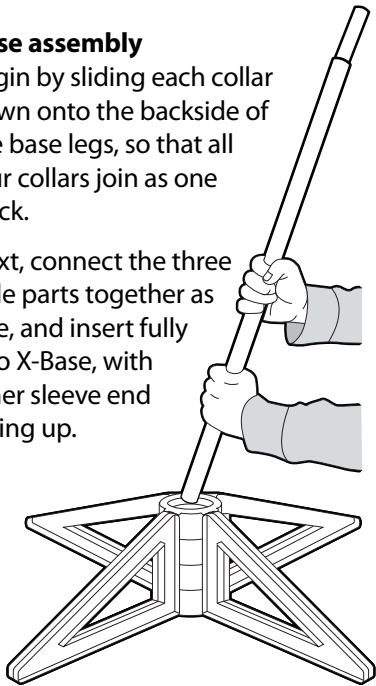


1 Base assembly

Begin by sliding each collar down onto the backside of the base legs, so that all four collars join as one stack.

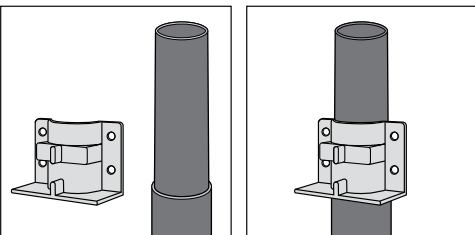
2

Next, connect the three pole parts together as one, and insert fully into X-Base, with inner sleeve end facing up.



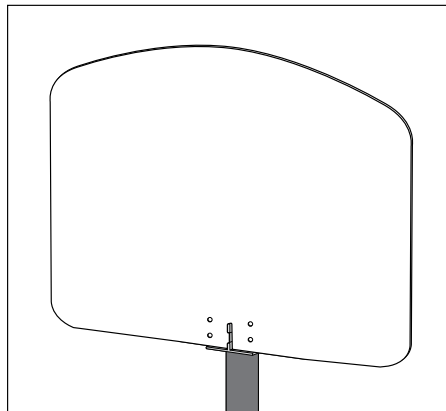
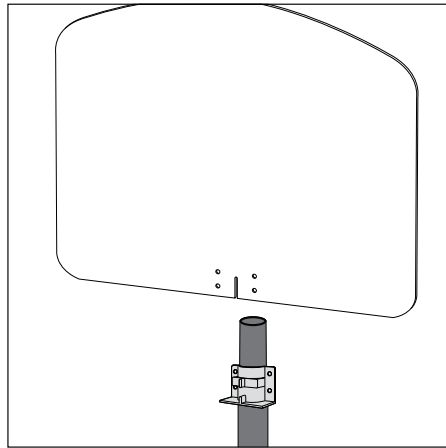
3

Place bracket as shown, resting it's bottom on top of the outer sleeve edge - hold in place.



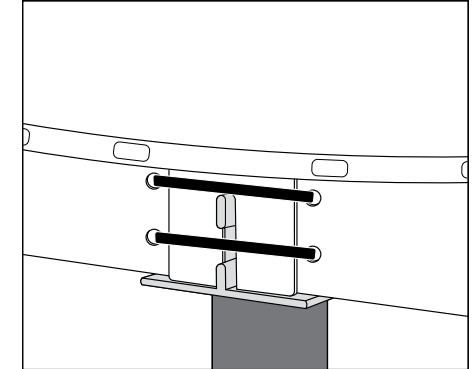
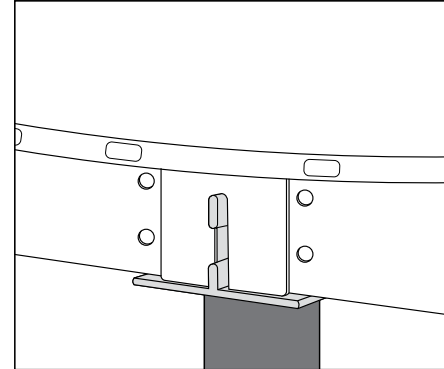
4

Lower Backboard onto bracket aligning center bottom slot with center alignment nubs on bracket - hold in place.



5

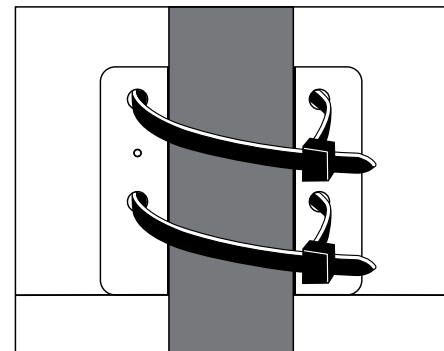
Add Hoop in place, also aligning center bottom slot with center alignment nubs on bracket - hold in place.



7

Carefully support all parts in place with cable ties

Feed cable ties through the holes in the bracket and backboard - beginning from the back going out the front and returning to the back. Tighten securely.



View from back prior to tightening

8

Lastly, attach netting to hoop

Attach net to inside ofrim by looping nylon over hubs.

Pull down firmly on nylon so that it locks in place behind hubs.

You're done!

