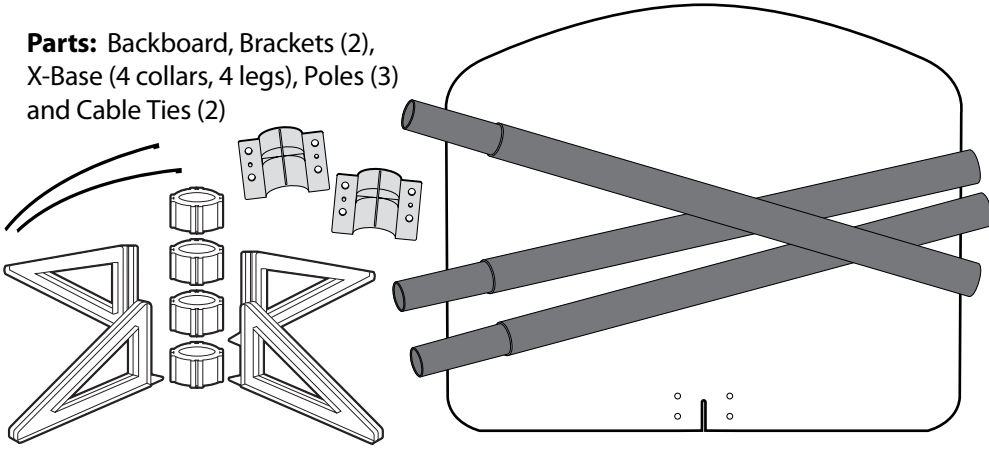


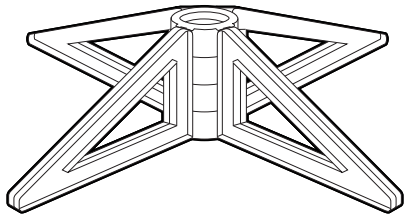
## Assembly Instructions Pole Topper Display - DOUBLE SIGN

**Parts:** Backboard, Brackets (2), X-Base (4 collars, 4 legs), Poles (3) and Cable Ties (2)

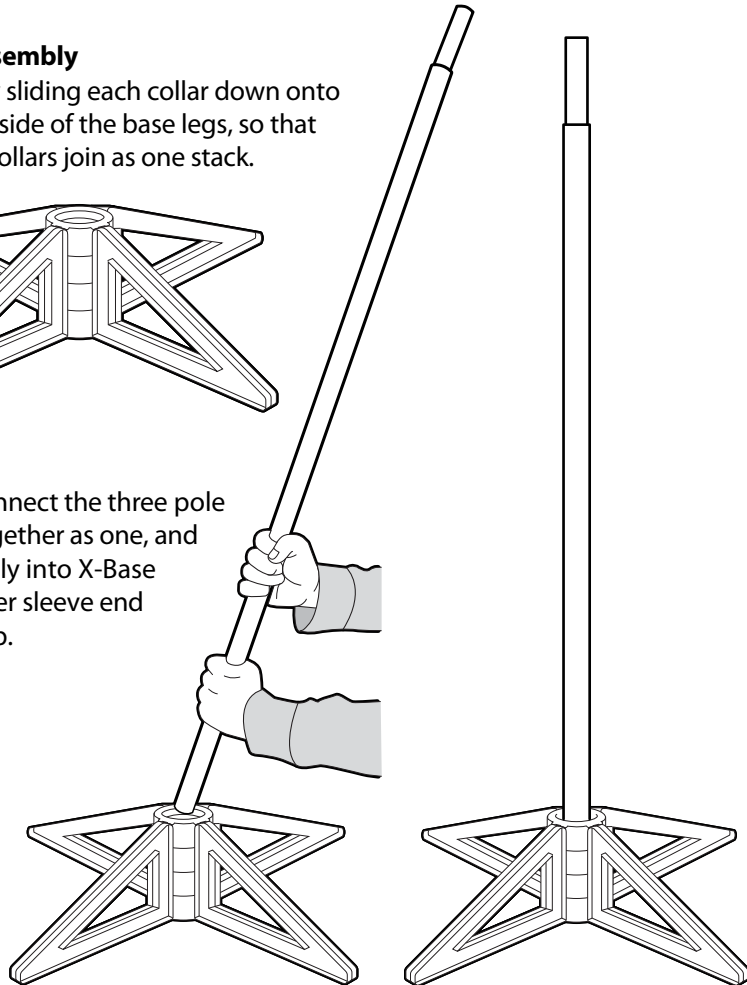


### 1 Base assembly

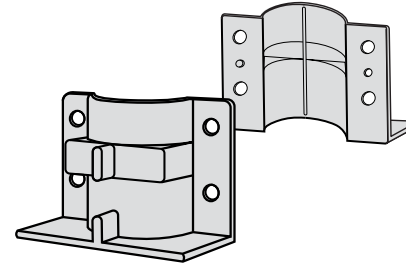
Begin by sliding each collar down onto the backside of the base legs, so that all four collars join as one stack.



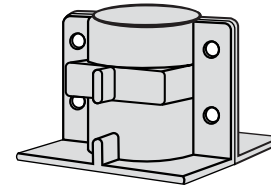
2 Next, connect the three pole parts together as one, and insert fully into X-Base with inner sleeve end facing up.



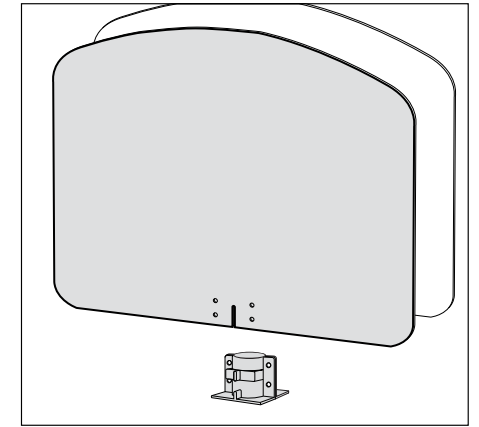
3 Place two brackets facing back to back on a flat surface



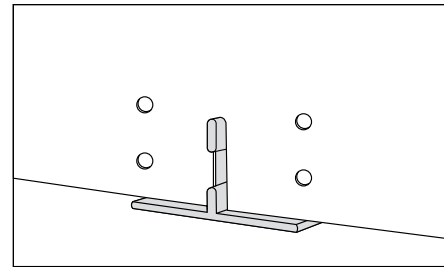
and bring together as shown.



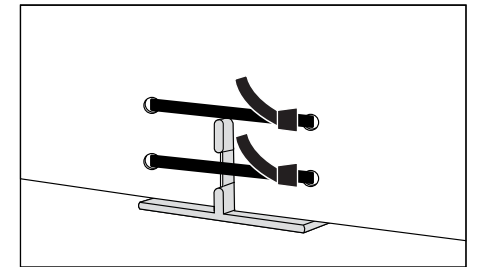
4 Likewise, take two backboards facing back to back (print side facing out) and align the center bottom slots on the backboards with the center alignment nubs on the brackets.



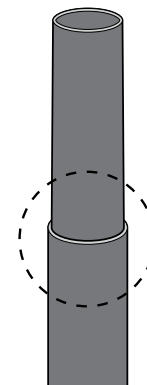
5 Lower into place with each side looking as shown.



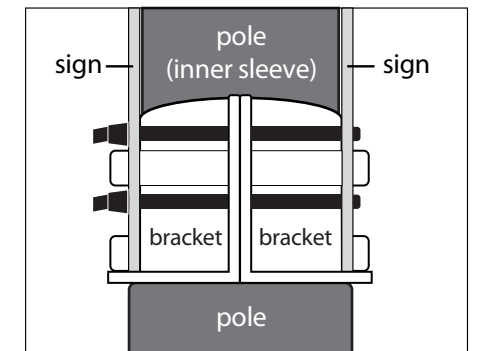
6 Beginning on one side of the two backboards thread cable ties through holes - DO NOT TIGHTEN



7 Carefully place down onto top of pole just above where the inner sleeve begins. Once in place pull cable ties snug.



Carefully snip off excess cable ties.



View from side (inbetween signs)