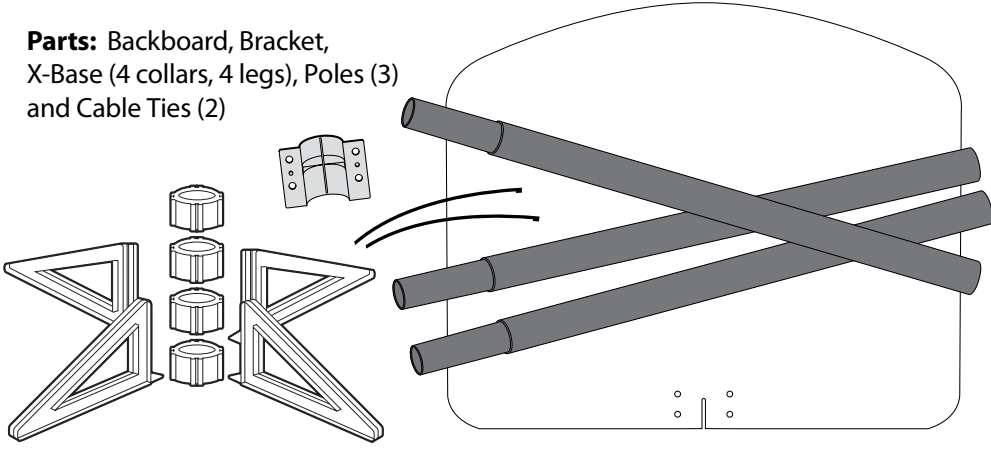


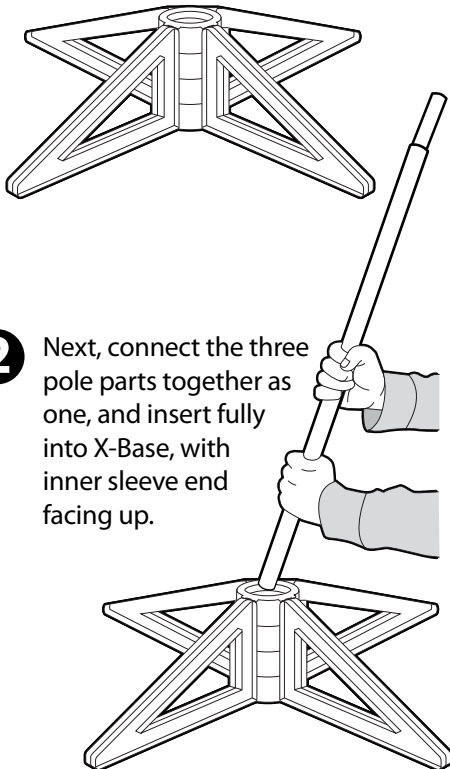
Assembly Instructions Pole Topper Display - SINGLE SIGN

Parts: Backboard, Bracket, X-Base (4 collars, 4 legs), Poles (3) and Cable Ties (2)



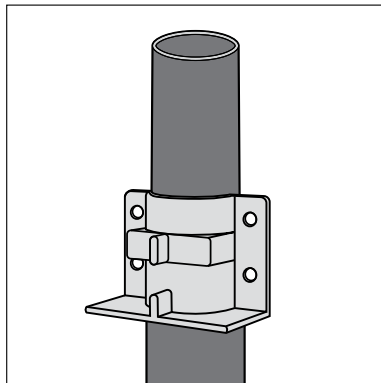
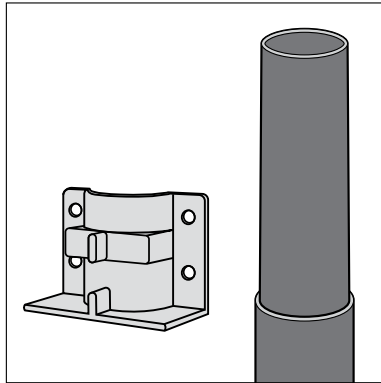
1 Base assembly

Begin by sliding each collar down onto the backside of the base legs, so that all four collars join as one stack.

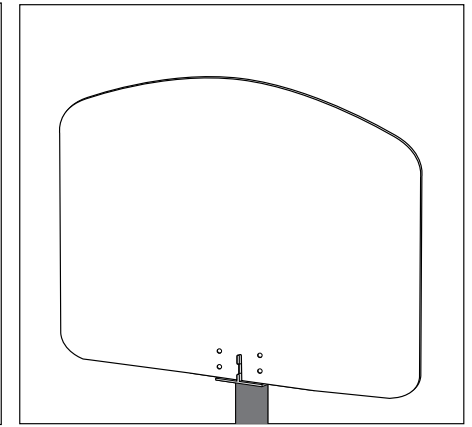
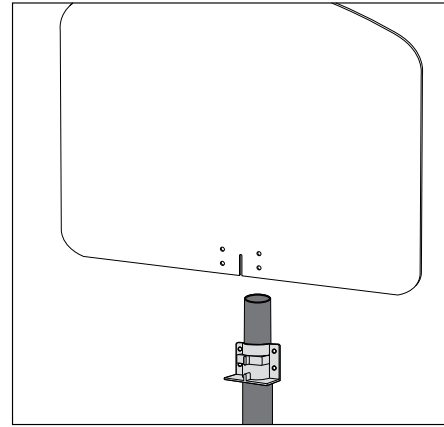


2 Next, connect the three pole parts together as one, and insert fully into X-Base, with inner sleeve end facing up.

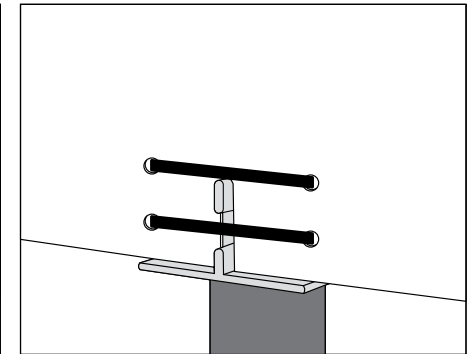
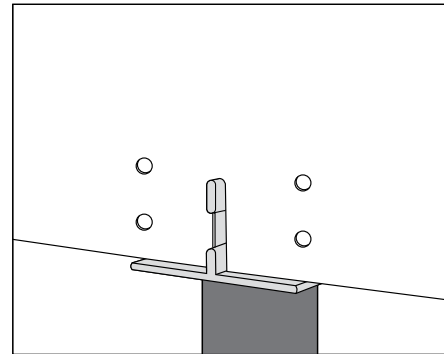
3 Place bracket as shown, resting its bottom on top of the outer sleeve edge - hold in place.



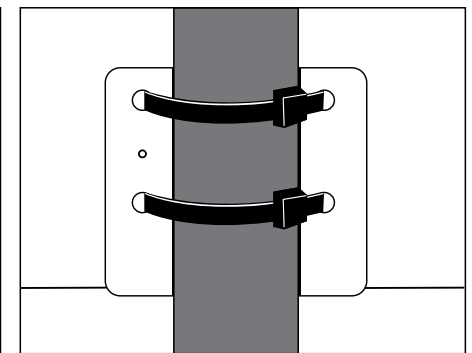
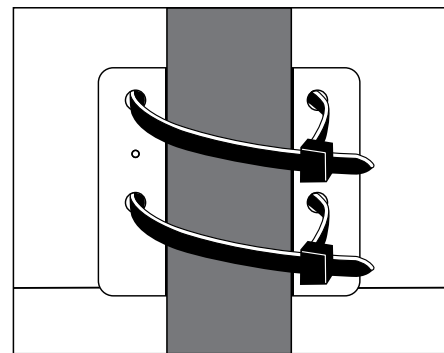
4 Lower Backboard onto bracket aligning center bottom slot with center alignment nubs on bracket - hold in place.



5 Carefully support all parts in place with cable ties Feed cable ties through the holes in the bracket and backboard - beginning from the back going out the front and returning to the back.



6 Tighten securely. Snip off excess cable ties.



View from back prior to tightening